



Instrument Transformers, Inc.

a division of GE Multilin



Medium Voltage Current Transformer

Models CTW5-L-110 & CTWH5-L-110 Wound Primary CT

REGULATORY AGENCY APPROVALS

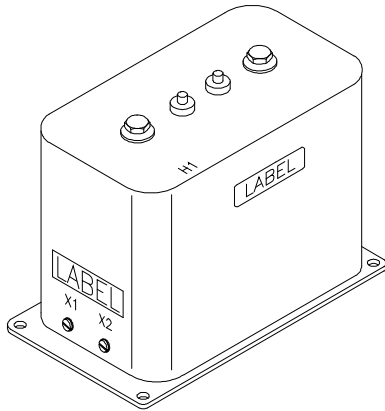


E145172

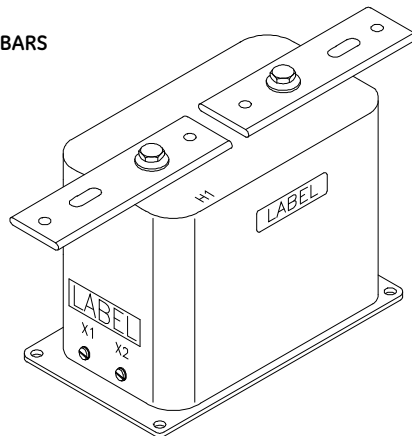


LR89403

Manufactured to meet the requirements of ANSI/IEEE C57.13.



Model CTW5-L
WITHOUT PRIMARY BARS



Model CTWH5-L
WITH PRIMARY BARS

APPLICATION:

Metering and relaying.

FREQUENCY:

50-400 Hz.

MAXIMUM SYSTEM VOLTAGE:

15.5kV, BIL 110kV.

**CONTINUOUS THERMAL
CURRENT RATING FACTOR:**

1.00 at 30°C amb., 0.85 at 55°C. amb.

Primary terminals are 1/2-13 bolts with one Belleville washer. Secondary terminals are brass screws No. 10-32 with one flatwasher, lockwasher.

Vacuum cast in polyurethane resin.

Other ratios, secondary currents and dual ratios are available. Refer to factory.

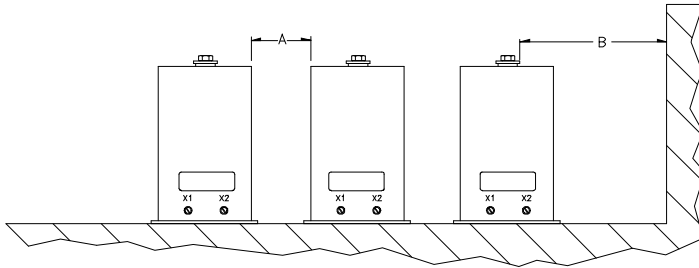
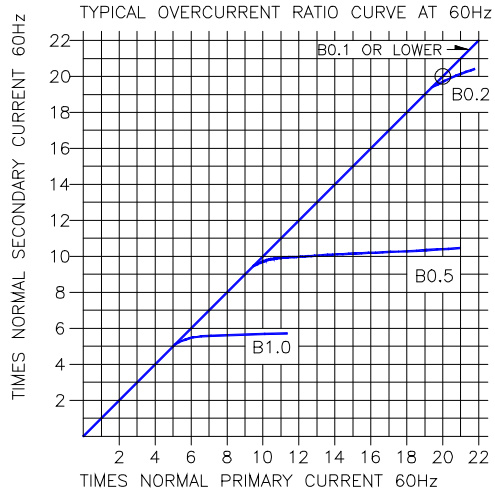
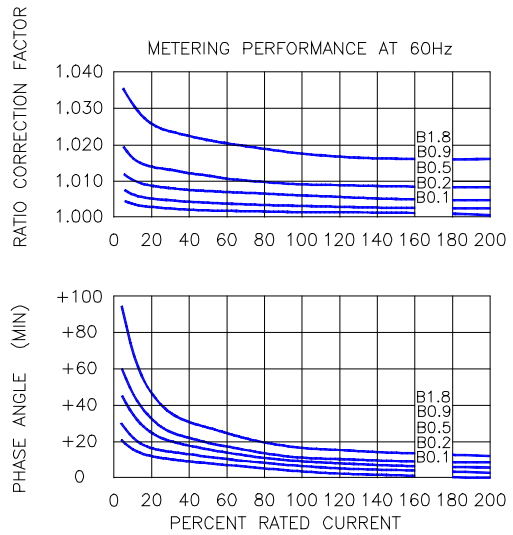
Approximate weight 34 lbs.

CAUTION: Use only the Belleville washers Supplied. Tighten to between 25 to 30 foot-pounds. DO NOT OVERTIGHTEN

| CATALOG* NUMBER | CURRENT RATIO | RELAY CLASS | ANSI METERING CLASS AT 60HZ | | | | | THERMAL CURRENT RATING 1 SECOND RMS AMPS |
|--------------------|------------------|----------------|--------------------------------|------|------|------|------|---|
| | | | B0.1 | B0.2 | B0.5 | B0.9 | B1.8 | |
| CTW5-L-110-T20-050 | 5:5 | T20 | 0.3 | 0.3 | 0.6 | 1.2 | 2.4 | 375 |
| CTW5-L-110-T20-100 | 10:5 | T20 | 0.3 | 0.3 | 0.6 | 1.2 | 2.4 | 590 |
| CTW5-L-110-T20-150 | 15:5 | T20 | 0.3 | 0.3 | 0.6 | 1.2 | 2.4 | 1200 |
| CTW5-L-110-T20-250 | 25:5 | T20 | 0.3 | 0.3 | 0.6 | 1.2 | 2.4 | 1700 |
| CTW5-L-110-T20-300 | 30:5 | T20 | 0.3 | 0.3 | 0.6 | 1.2 | 2.4 | 1700 |
| CTW5-L-110-T20-400 | 40:5 | T20 | 0.3 | 0.3 | 0.6 | 1.2 | 2.4 | 2400 |
| CTW5-L-110-T20-500 | 50:5 | T20 | 0.3 | 0.3 | 0.6 | 1.2 | 2.4 | 4715 |
| CTW5-L-110-T20-750 | 75:5 | T25 | 0.3 | 0.3 | 0.6 | 1.2 | 2.4 | 4715 |
| CTW5-L-110-T20-101 | 100:5 | T25 | 0.3 | 0.3 | 0.6 | 1.2 | 2.4 | 8625 |
| CTW5-L-110-T20-151 | 150:5 | T25 | 0.3 | 0.3 | 0.6 | 1.2 | 2.4 | 11500 |
| CTW5-L-110-T20-201 | 200:5 | T30 | 0.3 | 0.3 | 0.6 | 1.2 | 2.4 | 11500 |
| CTW5-L-110-T20-251 | 250:5 | T20 | 0.3 | 0.3 | 0.6 | 1.2 | 2.4 | 21700 |
| CTW5-L-110-T20-301 | 300:5 | T25 | 0.3 | 0.3 | 0.6 | 1.2 | 2.4 | 21700 |
| CTW5-L-110-T20-401 | 400:5 | T30 | 0.3 | 0.3 | 0.6 | 1.2 | 2.4 | 44700 |
| CTW5-L-110-T20-501 | 500:5 | T35 | 0.3 | 0.3 | 0.3 | 0.6 | 1.2 | 44700 |
| CTW5-L-110-T20-601 | 600:5 | T40 | 0.3 | 0.3 | 0.3 | 0.6 | 1.2 | 44700 |

*For ordering with primary bars, change model number to CTWH5-L.
A test card is provided with each unit.

Models CTW5-L-110 & CTWH5-L-110 Wound Primary CT



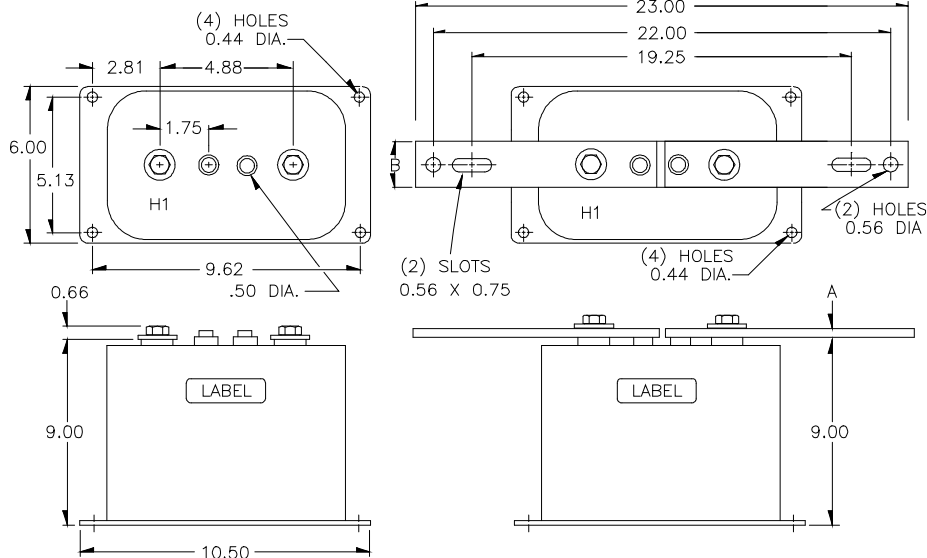
RECOMMENDED MINIMUM SPACINGS

A = Unit to Unit = 2.00" minimum.

B = HV to Ground in Air = 6.50" minimum.

Recommended spacing are for guidance only. User needs to set appropriate values to assure performance for high potential test, impulse test, high humidity, partial discharge, high altitude, and other considerations like configuration.

| PRIMARY CURRENT | BAR SIZES | |
|-----------------|-----------|------|
| | A | B |
| 5 TO 200A | 0.25 | 1.50 |
| 250 TO 1200A | 0.38 | 2.00 |



USA, Canada, Asia, Latin America

Tel: +1-800-547-8629

Fax: +1-905-201-2455

e-mail: sales.multilin@ge.com

Europe, Middle East, Africa

Tel: +34-94-485-88-00

Fax: +34-94-485-88-45

e-mail: gemultilin.euro@ge.com

Please refer to our website www.GEMultilin.com for more detailed contact information

CS00A40657 Rev.1 01/10