

## Current Transformers

### Model 186 Current Transformer

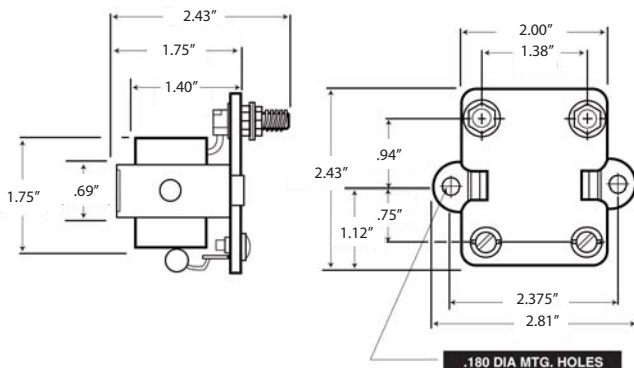


- **Optimal for remote sensing of AC current signals**
- **Converts AC current signal to 0-10 ACV signal**
- **For use with rectifier type analog panel meters or digital indicators**
- **Perfect for low current measurement where a donut current transformer would not sense a signal**

### Ordering Information

Range	VA	Cat. Number
0-100mA	0.50	01295
0-500mA	0.53	01304
0-5Amp	0.40	01312
0-10Amp	1.45	01314
0-15Amp	1.05	01315
0-20Amp	1.04	01316
0-25Amp	1.50	01317
0-30Amp	1.10	01318
0-40Amp	1.09	01319
0-50Amp	1.90	01321

### Dimensions



### Current Transformers with Terminals

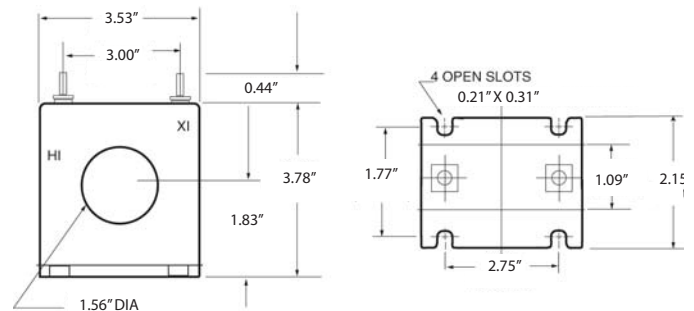
- **Reduces high AC current signal to 5 amp AC signal**
- **Use with analog and 5 amp AC digital indicators**



### Specifications

Accuracy	±2.0% (100 Amp) ±1.0% (100-1000 Amp)
Frequency	50-400 Hz
Insulation Class	0.6kV BIL 10kV full wave
Weight	1.0lb (453.59g)

### Dimensions



### Ordering Information

Range	Burden VA@60Hz	Catalog Number
100:5	2.0	37020
150:5	5.0	37021
200:5	5.0	37022
300:5	12.5	37023
500:5	20.0	37024
1000:5	25.0	37025