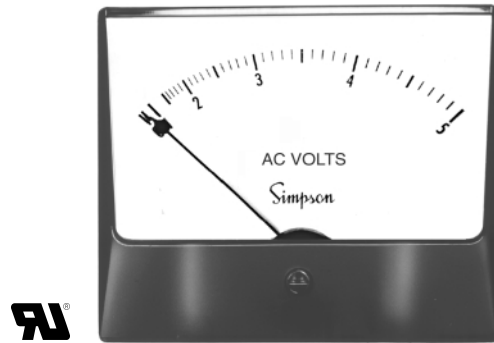


- **Wide Angle Visibility**
- **UL Recognized**
- **Optional Bezel Kit**
- **Phenolic Cases with Clear Acrylic Window**
- **Four Popular Sizes: 1-1/2", 2-1/2", 3-1/2", and 4-1/2"**



Model Number	Size	Meter Movement
1214	1-1/2"	Rectifier
1247/1257	2-1/2"	Rectifier/Iron-Vane
1347/1357	3-1/2"	Rectifier/Iron-Vane
1349/1359	4-1/2"	Rectifier/Iron-Vane

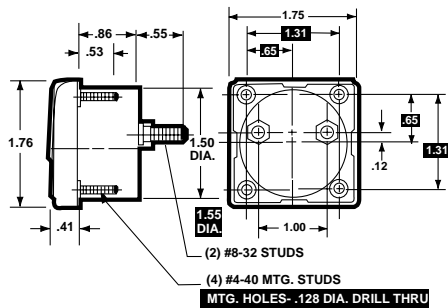
Molded in a black phenolic case, this distinctive style meter with clear acrylic window provides wide angle visibility and can either be surface-mounted or bezel-mounted (semi-flush mount) with one of Simpson's Wide-Vue bezel kits. Available in four standard sizes of 1-1/2", 2-1/2", 3-1/2", and 4-1/2", the Wide-Vue is ideal for reliable measurement of AC voltage ranges between 5 and 500 volts. In addition, Simpson offers dual range units in 3-1/2" and 4-1/2" sizes that measure both

0-150 volts and 0-5 amps on one scale. Voltage inputs of 500 volts or higher must be used with the supplied external multiplier. Iron-vane units have  $\pm 2\%$  full scale (F.S.) ( $\pm 3\%$  F.S. for rectifier) accuracy and meet American National Standards Institute specification ANSI C39.1. Also available is an illumination kit for 4-1/2" Wide-Vue meters, which includes two bulb and socket assemblies with mounting parts.

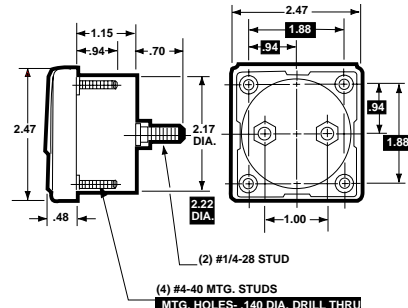
### Dimensions and Compatibility

= Panel Meter Cut-out Dimensions

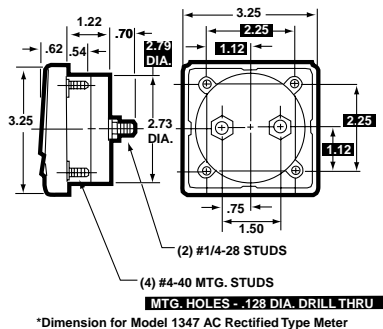
#### 1-1/2"-Model 1214



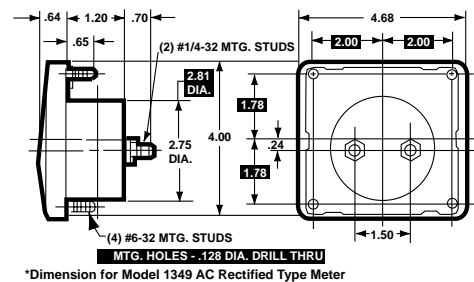
#### 2-1/2"-Model 1247 & 1257



#### 3-1/2"-Model 1347 & 1357



#### 4-1/2"-Model 1349 & 1359



## Specifications

<b>Accuracy:</b>	+2% F.S. (iron-vane); ±3% F.S. (rectifier)
<b>Movement:</b>	Models 1214, 1247, 1347, 1349: Annular, rectifier Models 1257, 1357, 1359: Iron-vane, magnetically damped Pivot and jewel
<b>Suspension:</b>	Pivot and jewel
<b>Tracking:</b>	+2% F.S.
<b>Shielding:</b>	Calibration is unaffected by magnetic panel mounting.
<b>Response Time:</b>	1.5 seconds maximum
<b>Overload (1 sec.):</b>	10 times F.S.
<b>Continuous:</b>	1.5 times F.S.
<b>Repeatability:</b>	3%
<b>Dial:</b>	Sharp clear scale. Each dial arc is calibrated to track the specific type of movement used.
<b>Resistance:</b>	+15%

<b>Operating Temperature:</b>	-4°F to +149°F (-20°C to +65°C)
<b>Case:</b>	High density black plastic
<b>Pointer:</b>	Spade pointer, with black matte finish Model 1214 (lance pointer black matte finish)

<b>Scale Length:</b>	Model 1214: 1.50" (38.1mm) Models 1247, 1257: 2.30" (58.4mm) Models 1347, 1357: 3.14" (79.9mm) Models 1349, 1359: 3.93" (100.0mm)
----------------------	--

<b>Net Weight:</b>	Models 1214: 2 oz (0.06kg) & 1247: 6oz (0.17kg) Models 1257: 4 oz (0.11kg) & 1347: 8oz (0.23kg) Models 1359: 5 oz (0.14kg) & 1349: 9oz (0.26kg)
--------------------	---

## Ordering Information

### AC Voltage Meters Rectifier Type, Self Shielding

Range	Approx. Impedance (ohms) @ 60Hz	Model/Size and Catalog Number			
		1-1/2" Model 1214	2-1/2" Model 1247	3-1/2" Model 1347	4-1/2" Model 1349
0-5	2000 ohms per volt	10011	10015	10020	10090
0-10		10012	10016	10030	10100
0-15		<>	<>	10040	10110
0-50		<>	<>	10050	10120
0-150		10013	10017	10060	10130
0-300		10014	10018	10070	10140

### AC Voltage Meters Iron Vane Type Movement

Range	Approx. Impedance (ohms) @ 60Hz	Model/Size and Catalog Number		
		2-1/2" Model 1257	3-1/2" Model 1357	4-1/2" Model 1359
0-5	33	<>	10160	10260
0-10	133	09670	10170	10270
0-15	300	09675	10180	10280
0-25	833	09680	10190	10290
0-50	3,333	09690	10200	10300
0-100	16,333	09695	10210	10310
0-150	25,000	09700	10220	10320
0-250	41,166	09705	10230	10330
0-300	50,000	09710	10240	10340
0-500†	83,333	09715	10250	10350

†External multipliers, Model 183, are furnished on AC meters having a range of 500 volts or higher. All others have self-contained multipliers.

### AC Dual Range Ammeter/Voltmeter

Range	Approx. Impedance (ohms) @ 60Hz	Model/Size and Catalog Number		
		2-1/2" Model 1257	3-1/2" Model 1357	4-1/2" Model 1359
0-150V and 0-5A	15030 and .021	—	03129	03259

## Function Reference Table

For your convenience, the table below lists Wide-Vue models for other electrical monitoring functions with page number reference.

Function	Section	Page
AC Current	E	11
DC Current	E	51
DC Voltage	E	71
Watts	E	105

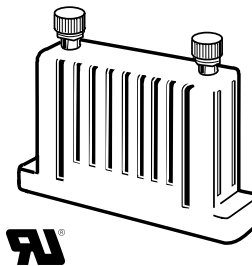
## Compatibility Reference Table

Manufacturer	Size/Model		
	2-1/2"	3-1/2"	4-1/2"
<b>Crompton</b>			
Celebrity	223	225	227
Challenge	362	363	364
Clearvu	233	235	237
<b>Hoyt</b>	3126	3136	3146
<b>Modutec</b>			
S Series	2S-	3S-	4S-
PB Series	2PB*	3PB*	4PB
<b>Triplett</b> G Series	230-G	330-G	430-G
<b>Weston</b> 2000 Series	2024	2034	2044
<b>Yokogawa</b>			
Big Look	250-2 OPT.	250-3 OPT.	250-4 OPT. 1
Horizon	251-210	251-310	251-410

\*Modutec uses a three-stud mount.

## Accessories

### Model 183 Multiplier



The Model 183 external multiplier enables an iron-vane type voltage meter to monitor up to 1000 AC volts. An external multiplier is used with a 150 AC voltage meter that is scaled proportionally to your measurement range. Simpson's AC meters having a range of 500 volts or higher are furnished with the Model 183. Simpson's external multipliers are available for immediate delivery from your local distributor. Other intermediate ranges are available on special order.

### Ordering Information

#### AC Volts 166 Ohms/Volt

Range	Approx. Impedance (ohms) @ 60 Hz	Volt Drop	Meter Volt Drop	Catalog Number
0-500	58,333	350	150	08562
0-600	75,000	450	150	08563
0-750	100,000	600	150	08564
0-1000	141,666	850	150	08565

### Wide-Vue Bezel and Illumination Kits

Behind-panel bezels are available for Wide-Vue style meters to give your equipment a modern appearance. Bezels are die cast with an attractive black satin finish and are designed for behind panel mounting on material thickness of 1/8" to 3/16". Bezel kits include all mounting hardware and can be ordered with meters or separately. Illumination Kits are available for the 4-1/2" meters. The kit includes a pair of 6.3 volt bulbs, .25 amps. The bulbs are mounted above the meter, and are designed to be used with the bezel kits. The kit illuminates the meter for ease of reading in dark areas.

Model Number	Catalog Number
1357 (3-1/2")	01253
1359 (4-1/2")	01123
1359 Illumination Kit	01165