

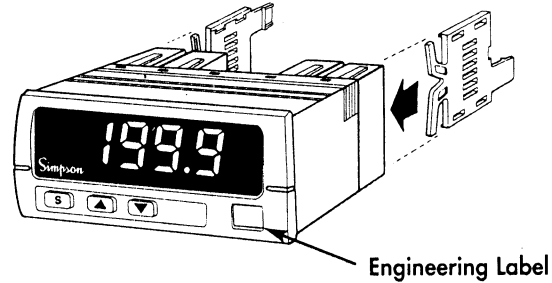
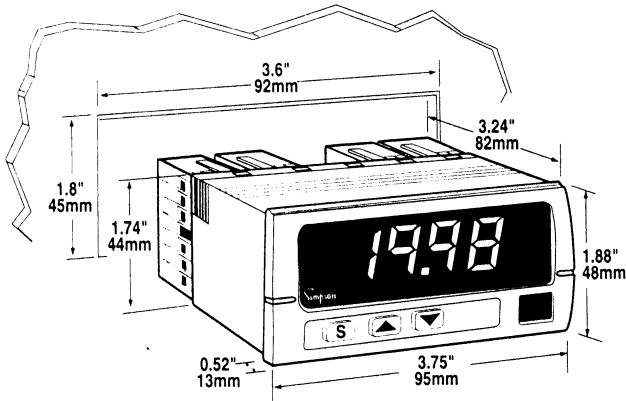
Instrument Meter Specialties, Inc.
1-800-926-3837..... 1-818-243-0416



We Accept:
Visa - MasterCard
Amex - Discover

Hawk II
H235

Installation and Panel Cutout



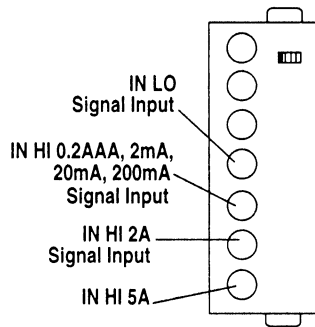
Mounting Requirements

The Hawk II series 1/8 DIN advanced digital panel meters require a panel cutout of 1.77" (45mm) high by 3.62" (92mm) wide. To install the Hawk II into a panel cutout, remove the clips from the sides of the meter. Slide the meter through your panel cutout, then slide the mounting clips back on the meter. Press evenly to ensure a proper fit.

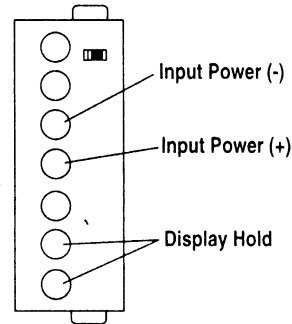
Engineering Label Placement

If replacement of the engineering unit label is required, place the tip of a ball-point pen into the small hole at the base of the engineering label in the bezel. Slide the label up until it pops out. Grasp and remove. Slide the new label half the distance in, then use the ball-point pen to slide it down into place.

Wiring Diagram



Input Signal: Connect the signal to be monitored to the **IN HI** and the **IN LO** terminals. Note that the **IN HI** signal has three terminals that can be used, depending on the amount of current being monitored. The upper **IN HI** terminal accepts 0.2, 2, 20, and 200 mA inputs. The middle **IN HI** terminal accepts the 2A input. The lower **IN HI** terminal accepts the 5A input.



Supply Power: Connect the appropriate power to the **supply power** terminals.

Display Hold: Short the terminals marked **HOLD** to activate. The comparison of the input variable with the alarm set point remains active. To reactivate this display, disconnect the short circuit.