



Accessories

PBR Series PowerBASE™ Relays



'PBR' "PowerBASE™" Series are industrial-grade relays in a specially designed package. PBR relays quick connect to NK Technologies top terminal AS and AT series current switches and transducers. This compact combination provides added function and flexibility.

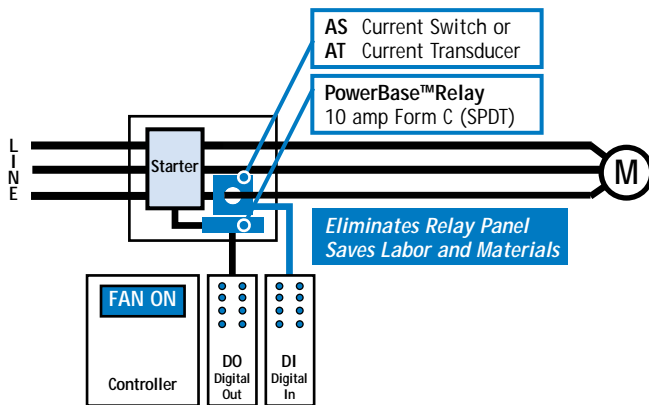
Applications

Motor Control

- Switches up to NEMA Size 5 starter (200HP motor).
- Directly controls fractional HP loads.

Heaters and Lamp Control

Eliminates contactors for loads to 10A.



Features

- **PowerBASE™ Relay and Current Sensor combo**
 - Acts as an 'Interposing Relay'.
 - Isolates controller from line voltage.
- **Cuts Installation Costs**
 - Installs as one item.
 - Reduces electrician's labor.
 - Eliminates need for relay panel.
- **Assembly Options**
 - Factory assembled for convenience.
 - Field assembled for flexibility.
- **UL, CUL and CE Approval**
 - Accepted worldwide.

Specifications

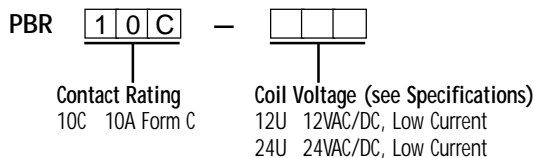
Contacts	<ul style="list-style-type: none"> ■ 10A Resistive, 7.2A Inductive @ 240VAC ■ 1/3HP @ 240VAC ■ 10A @ 30VDC
Coils	<ul style="list-style-type: none"> ■ 12L: 12VAC/DC +/-30%, 18.5mA ■ 24L: 24VAC/DC +/-30%, 10mA
Dimensions	2.65"W x 1.5"D x 0.9"H, 4.5" Base
Case	UL 94 Flammability rated
Compatibility	<ul style="list-style-type: none"> ■ Solid Core Sensors: All "FT" case models ■ Split Core Sensors: All "SP" case models
Environmental	-4 to 122°F (20 to 60°C), 0-95% RH, non-condensing
Listings	UL 508 Industrial Control Equipment (USA & Canada), CE



Ordering Information

Example: PBR-10C-24L

PowerBASE™ Relay with 10A contacts and universal 24-volt coil.



Power Supply
DIN Rail Adapter
Instrument Tags

Know your power...

because with knowledge comes control.

Accessories

Power Supply

'PS' series switching power supplies provide highly regulated 24VDC for NK Technologies transmitters and switches.



Specifications



Input	85–264VAC, 47–400Hz
DC Output	24VDC, 25W (1.05A)
DC Regulation	+/-0.2% (0.048VDC)
DC Ripple	100mV (Peak-Peak)
EMF	Meets FCC Part 15J, Class B
Dimensions	5.1" x 3.85" x 1.5", 1.5 lb. (13 x 9.8 x 3.8 cm, 700 gm)
Environmental	14 to 140°F (-10 to +60°C), 20–90% RH
Safety	UL Recognized, CE

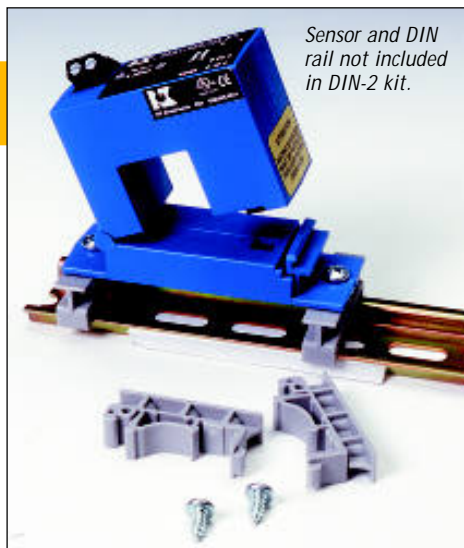


DIN Rail Adapter

'DIN-2' adapters allow NK Technologies switches, transducers and ground fault sensors to be mounted on DIN rail.

Specifications

Compatibility	■ "Top Hat" Type:  35mm x 15mm, 35mm x 7.5mm
	■ "G" Type:  32mm x 15mm
Material	UL 94V-2 Rated thermoplastic
Temp Range	-40 to 212°F (-40 to 100°C)



Sensor and DIN rail not included in DIN-2 kit.



Instrument Tags

Instrument Tags allow users to individually identify each NK Technologies sensor in their system. IT Tags are permanent and non conductive. Traditional stamped stainless steel tags present a safety hazard and are not recommended for electrical sensors. Please provide a list of tag numbers with your Purchase Order.

Specifications

Dimensions	0.5" x 1.125"
Characters	2 lines of 18 characters (8 point). Spaces and dashes count as characters.

**Power Supply
DIN Rail Adapter
Instrument Tags**

Accessories